



	.....	1
	.....	1
	.....	
1-1	.....	
1-1	.....	
1-	.....	
1-	.....	
1-	.....	
1-	.....	11
1-	.....	1
1-	.....	1
1-	.....	1
1-	.....	1
1-10	.....	1
1-11	.....	
1-1	.....	
1-1	.....	
1-1	.....	
1-1	.....	
1-1	.....	0
1-1	.....	
1-1	.....	
	.....	
	.....	
-1	.....	
-1	.....	
-	.....	0
-	.....	1
-	.....	
-	.....	
-	.....	
-	.....	
-	.....	1
-10	.....	
-11	.....	
-1	.....	
-1	.....	
-1	.....	1
-1	.....	
-1	.....	
-1	.....	
-1	.....	
	.....	0



[ 2014] 55

- 1.
- 2.
- 3.
- 4.

--

--

		1-1	1	1-1	1-1
		-1	1	-1	-1
		-1	1	-1	-1

1

I/O

C

/

Kei I C

2

1

/ /

Kei I C

MCU

/ /

2

6S (

)

/

3

120

4

20		10	0	
				1
				2
		10		3
				4
			5	

10

5

30

1



2

PCB

E

3

1



2

PCB  
E

3





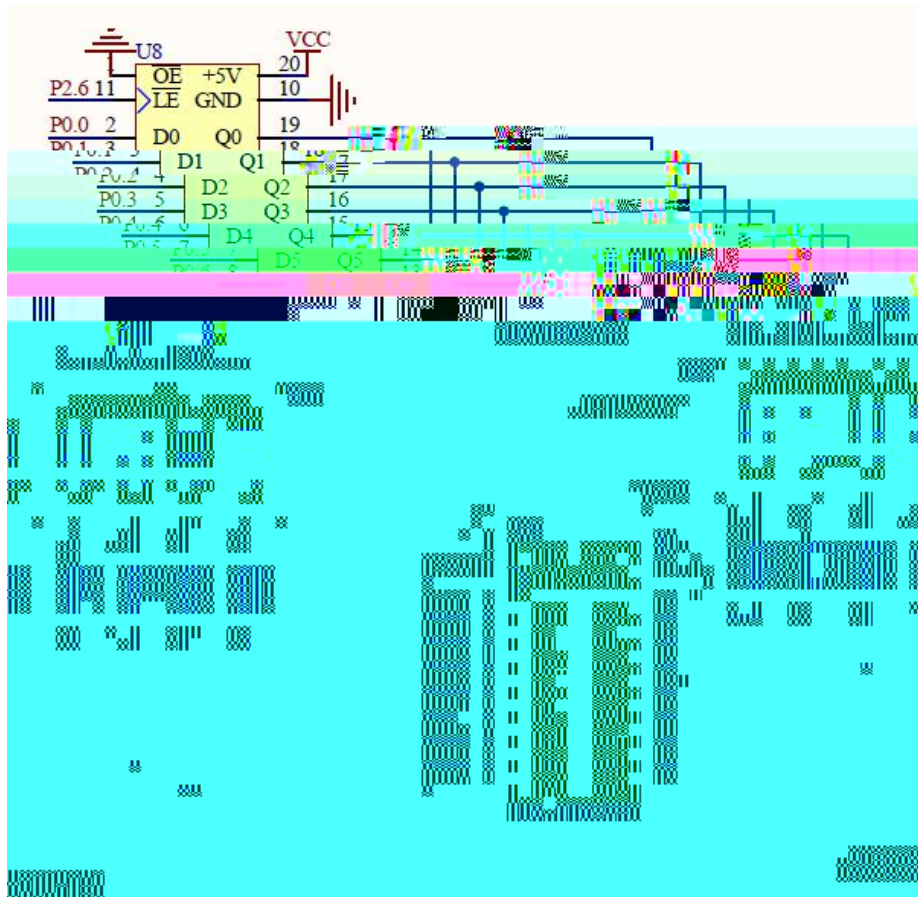
3

1





1



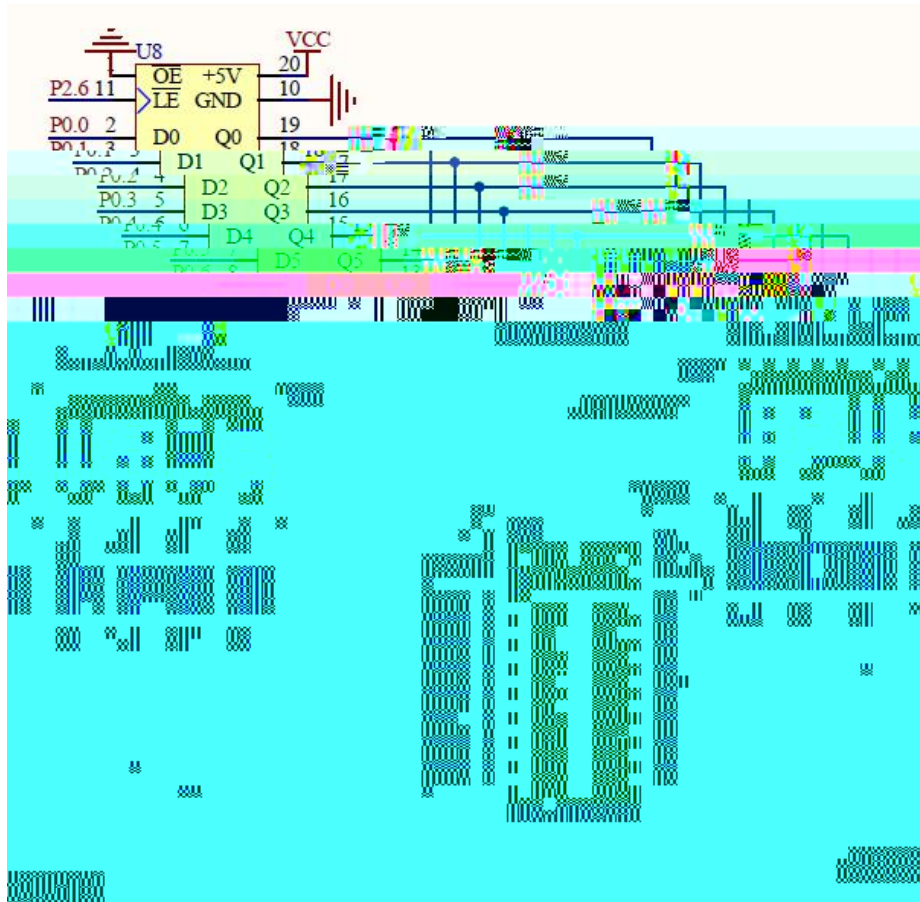
2

PCB  
E

3



1



2

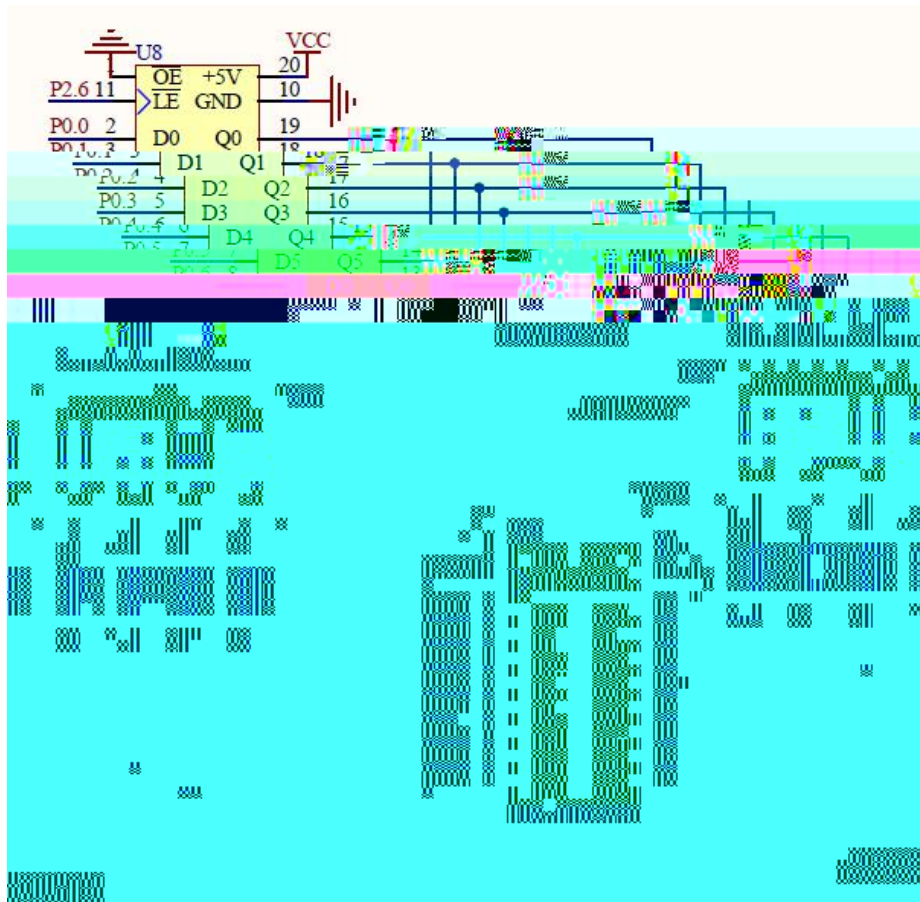
PCB

E

3



1



2

PCB

E

3



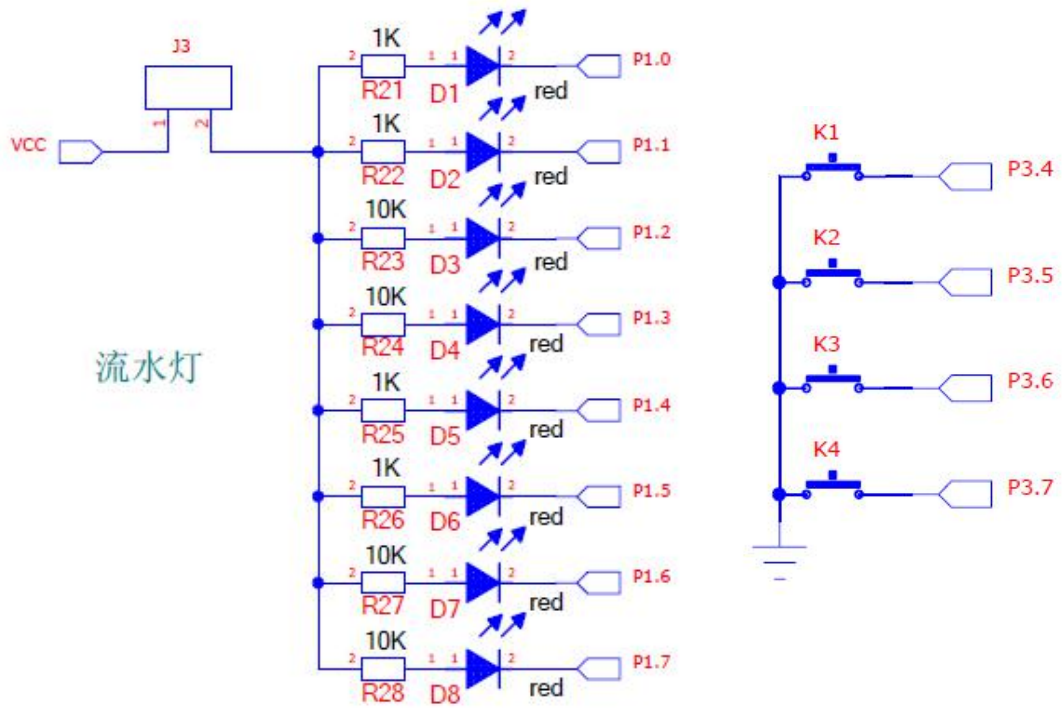






1

K1 8



2

PCB  
E

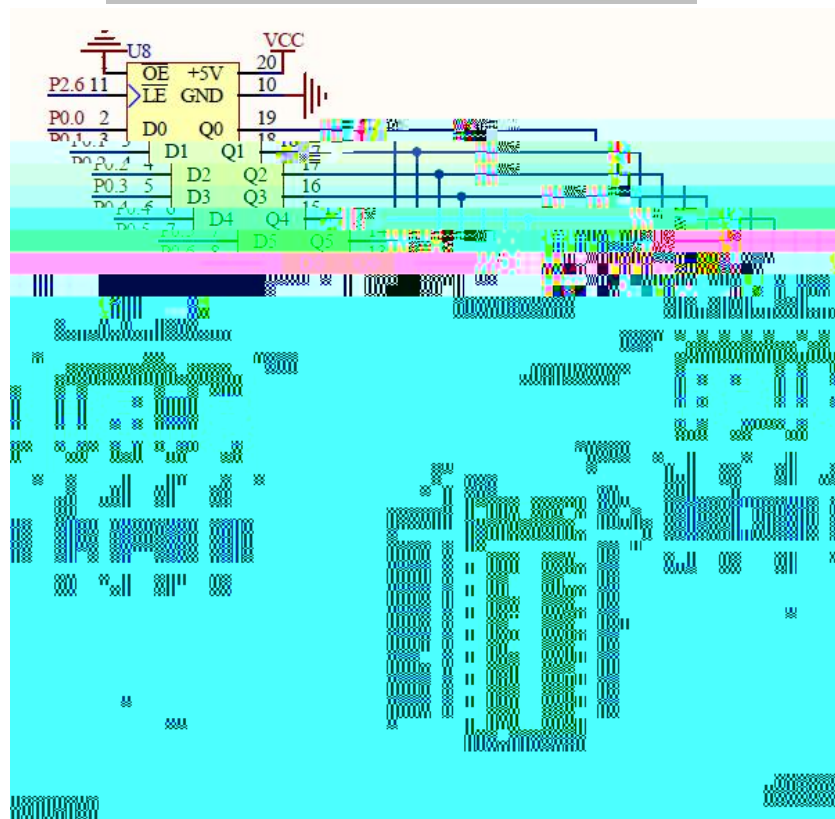
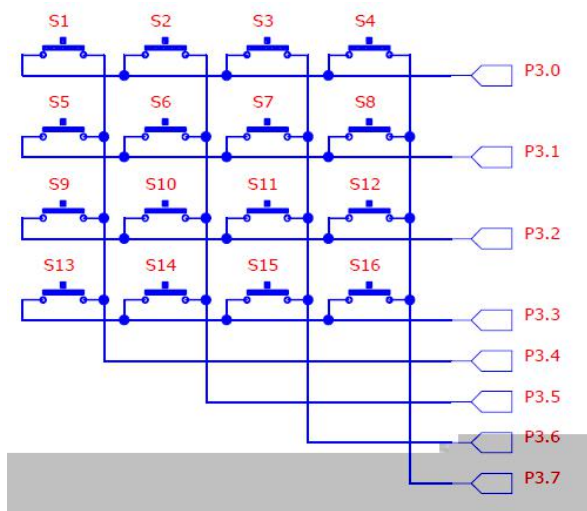
3



1

S1-S16

O-F



2

PCB

E

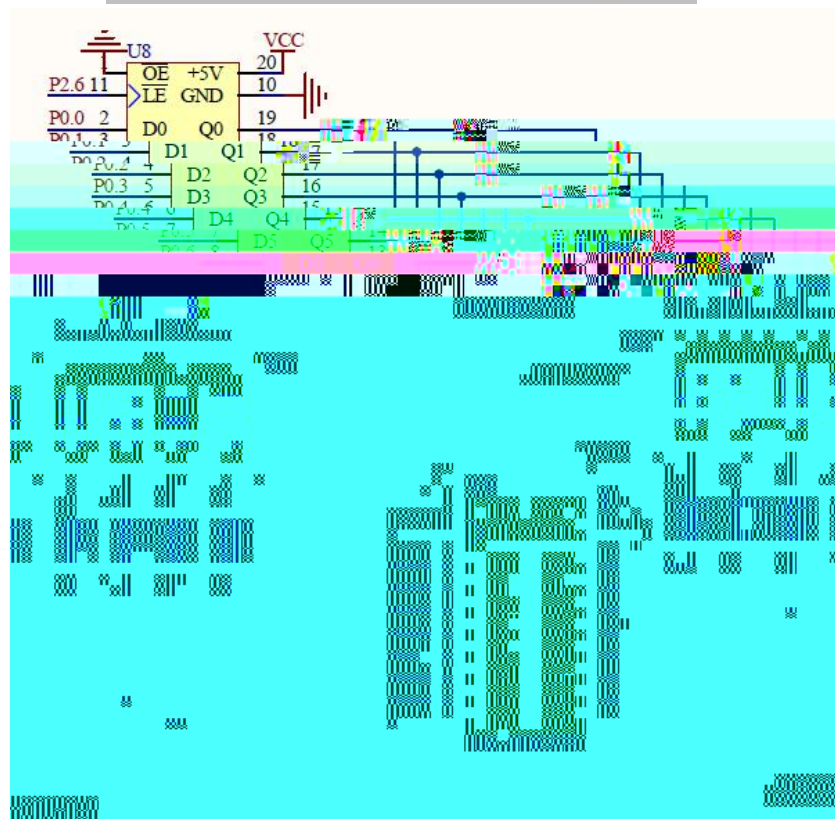
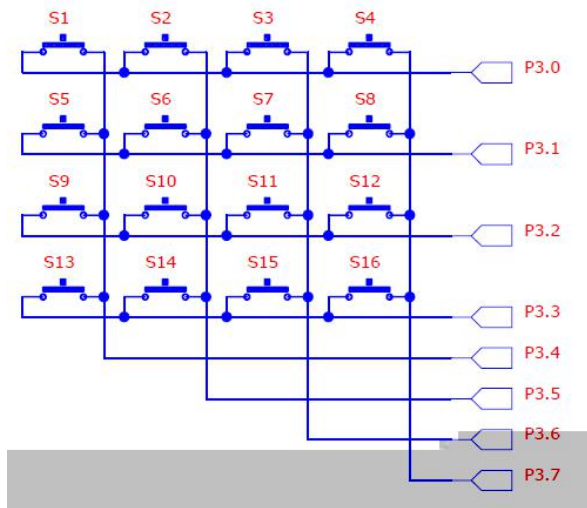
3

1

P3.2

1

9 0





2

PCB

E

3

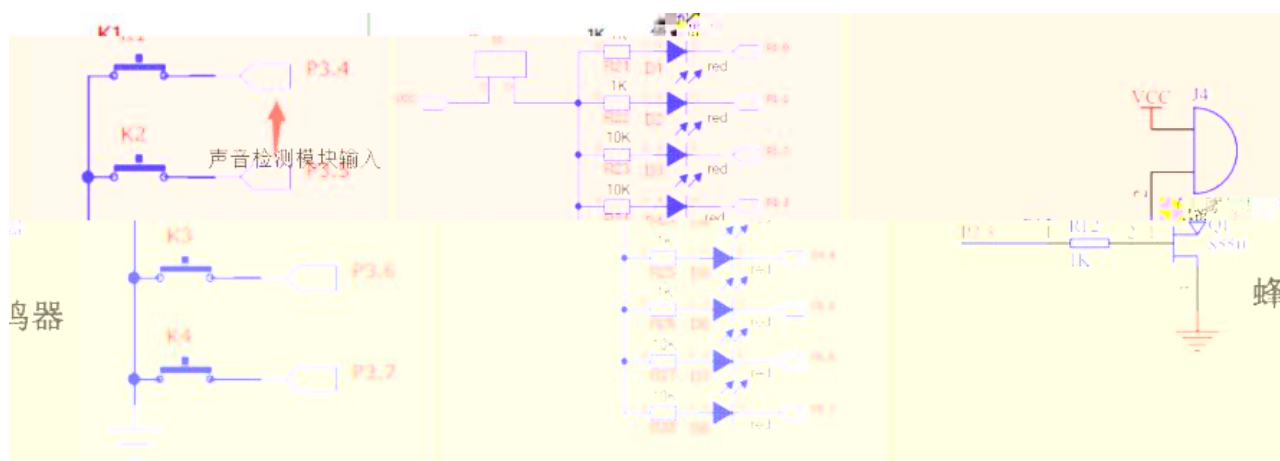
1

1

P3.4

P3.4

D1



1

2

PCB

E

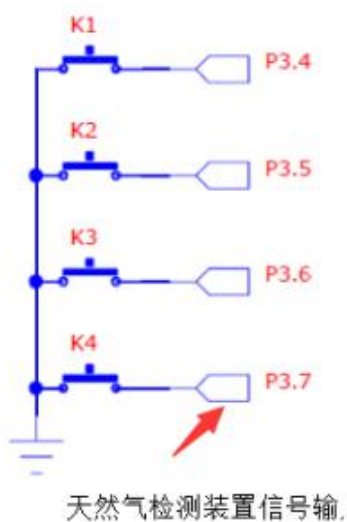
3

1

P3.7

1

P3.7



1

2

PCB  
E

3



1

1

K1

D1

K2

D2



1

2

PCB

E

3

1

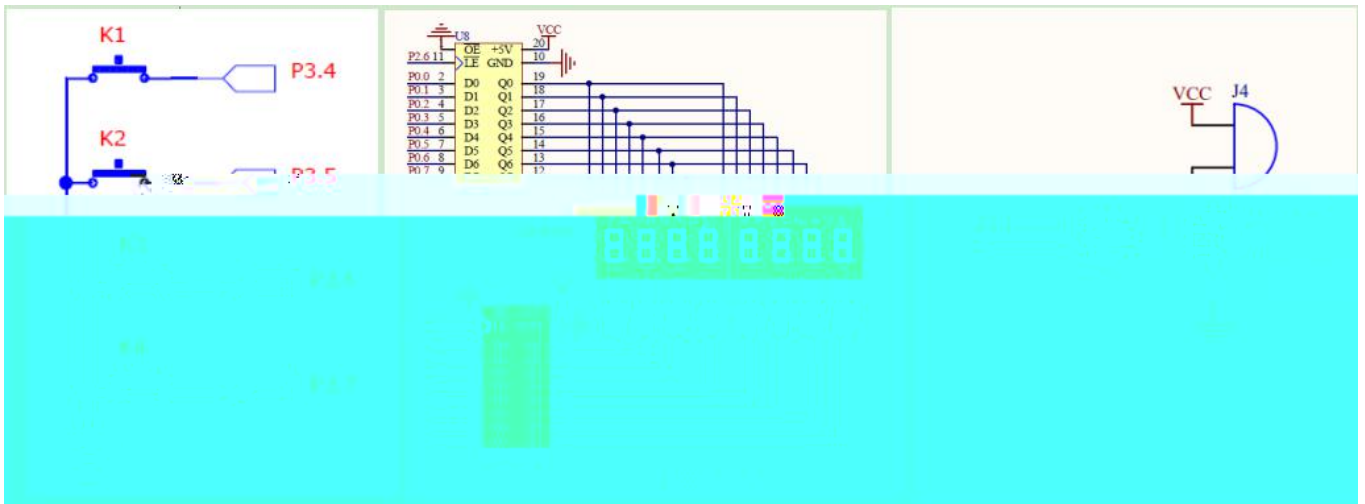
1

K1

K2 K3 K4

K1

" 1"



2

PCB

E

3



1

2



2

PCB

E

3



1

1

P3.6

P3.6



1

2

PCB

E

3

0



1

0.5S 0.5S



2

PCB

E

3



1

K1

D1-D4

K2

D5-D8



2

PCB

E

3



1

/ /

1

/ /

/ /

( )

/

1 0

20		10			0
			1		
		10	2		
			3		

			4	
			5	
30		10		
		5		
		5		
		10		
50		5		
		5	1 2	PCB
		10		
		15	1 2 3	
		15		

5

18



1



2

3



1



2

3

1



2

3

1



2

3



1



2



3





1

1	VBAT	VDD	64
2	PC13/ANT1	VSS	63
3	PC14/OSC32	PB9/TIM4_CH4/SDIO_D5	62
4	PC15/OSC32	PB8/TIM4_CH3/SDIO_D4	61
5	PD0/OSCIN	...	60
6	PD1/OSCAUT	BOOT0	59
7	NRST	PB7/I2C1_SDA/TIM4_CH2	58
8	PC0/ADC10	PB6/I2C1_SCL/TIM4_CH1	57
9	PC1/ADC11	PB5/I2C1_SMBA/SPI3_MOSI/I2S3_SD	56
10	PC2/ADC12	PB4/JNTRST/SPI3_MISO	55
11	PC3/ADC13	PB3/JTDO/SPI3_SCK/I2S3_CK	54
12	VSSA	PD2/U5_RX/TIM3_ETR/SDIO_CMD	53
13	VDDA	PC12/U5_TX/SDIO_CK	52
14	PA0/WKUP/ADC0/TIM2_CH1_ETR/TIM5_CH1/TIM8_ETR	PC11/U4_RX/SDIO_D3	51
15	PA1/ADC1/TIM2_CH2/TIM5_CH2	PC10/U4_TX/SDIO_D2	50
16	PA2/U2_TX/ADC2/TIM2_CH3/TIM5_CH3	PA15/JTDI/SPI3_NSS/I2S3_WS	49
17	PA3/U2_RX/ADC3/TIM2_CH4/TIM5_CH4	PA14/JTCK/SWCLK	48
18	VDD	VDD	4
19	VSS	VSS	5
20	PA4/ADC0/TIM2_CH1/TIM5_CH1	PA13/TIM2_CH3	6
21	PA5/ADC0/TIM2_CH1/TIM5_CH1	PA12/TIM2_CH2	7
22	PA6/ADC0/TIM2_CH1/TIM5_CH1	PA11/TIM2_CH1	8
23	PA7/ADC0/TIM2_CH1/TIM5_CH1	PA10/TIM2_CH0	9
24	PA8/ADC0/TIM2_CH1/TIM5_CH1	PA9/TIM2_CH0	10
25	PA9/ADC0/TIM2_CH1/TIM5_CH1	PA8/TIM2_CH0	11
26	PA10/ADC0/TIM2_CH1/TIM5_CH1	PA7/TIM2_CH0	12
27	PA11/ADC0/TIM2_CH1/TIM5_CH1	PA6/TIM2_CH0	13
28	PA12/ADC0/TIM2_CH1/TIM5_CH1	PA5/TIM2_CH0	14
29	PA13/ADC0/TIM2_CH1/TIM5_CH1	PA4/TIM2_CH0	15
30	PA14/ADC0/TIM2_CH1/TIM5_CH1	PA3/TIM2_CH0	16
31	PA15/ADC0/TIM2_CH1/TIM5_CH1	PA2/TIM2_CH0	17
32	PA16/ADC0/TIM2_CH1/TIM5_CH1	PA1/TIM2_CH0	18
33	PA17/ADC0/TIM2_CH1/TIM5_CH1	PA0/TIM2_CH0	19
34	PA18/ADC0/TIM2_CH1/TIM5_CH1	PA15/JTDI/SPI3_NSS/I2S3_WS	20
35	PA19/ADC0/TIM2_CH1/TIM5_CH1	PA14/JTCK/SWCLK	21
36	PA20/ADC0/TIM2_CH1/TIM5_CH1	PA13/TIM2_CH3	22
37	PA21/ADC0/TIM2_CH1/TIM5_CH1	PA12/TIM2_CH2	23
38	PA22/ADC0/TIM2_CH1/TIM5_CH1	PA11/TIM2_CH1	24
39	PA23/ADC0/TIM2_CH1/TIM5_CH1	PA10/TIM2_CH0	25
40	PA24/ADC0/TIM2_CH1/TIM5_CH1	PA9/TIM2_CH0	26
41	PA25/ADC0/TIM2_CH1/TIM5_CH1	PA8/TIM2_CH0	27
42	PA26/ADC0/TIM2_CH1/TIM5_CH1	PA7/TIM2_CH0	28
43	PA27/ADC0/TIM2_CH1/TIM5_CH1	PA6/TIM2_CH0	29
44	PA28/ADC0/TIM2_CH1/TIM5_CH1	PA5/TIM2_CH0	30
45	PA29/ADC0/TIM2_CH1/TIM5_CH1	PA4/TIM2_CH0	31
46	PA30/ADC0/TIM2_CH1/TIM5_CH1	PA3/TIM2_CH0	32
47	PA31/ADC0/TIM2_CH1/TIM5_CH1	PA2/TIM2_CH0	33
48	PA32/ADC0/TIM2_CH1/TIM5_CH1	PA1/TIM2_CH0	34
49	PA33/ADC0/TIM2_CH1/TIM5_CH1	PA0/TIM2_CH0	35
50	PA34/ADC0/TIM2_CH1/TIM5_CH1	PA15/JTDI/SPI3_NSS/I2S3_WS	36
51	PA35/ADC0/TIM2_CH1/TIM5_CH1	PA14/JTCK/SWCLK	37
52	PA36/ADC0/TIM2_CH1/TIM5_CH1	PA13/TIM2_CH3	38
53	PA37/ADC0/TIM2_CH1/TIM5_CH1	PA12/TIM2_CH2	39
54	PA38/ADC0/TIM2_CH1/TIM5_CH1	PA11/TIM2_CH1	40
55	PA39/ADC0/TIM2_CH1/TIM5_CH1	PA10/TIM2_CH0	41
56	PA40/ADC0/TIM2_CH1/TIM5_CH1	PA9/TIM2_CH0	42
57	PA41/ADC0/TIM2_CH1/TIM5_CH1	PA8/TIM2_CH0	43
58	PA42/ADC0/TIM2_CH1/TIM5_CH1	PA7/TIM2_CH0	44
59	PA43/ADC0/TIM2_CH1/TIM5_CH1	PA6/TIM2_CH0	45
60	PA44/ADC0/TIM2_CH1/TIM5_CH1	PA5/TIM2_CH0	46
61	PA45/ADC0/TIM2_CH1/TIM5_CH1	PA4/TIM2_CH0	47
62	PA46/ADC0/TIM2_CH1/TIM5_CH1	PA3/TIM2_CH0	48
63	PA47/ADC0/TIM2_CH1/TIM5_CH1	PA2/TIM2_CH0	49
64	PA48/ADC0/TIM2_CH1/TIM5_CH1	PA1/TIM2_CH0	50
65	PA49/ADC0/TIM2_CH1/TIM5_CH1	PA0/TIM2_CH0	51
66	PA50/ADC0/TIM2_CH1/TIM5_CH1	PA15/JTDI/SPI3_NSS/I2S3_WS	52
67	PA51/ADC0/TIM2_CH1/TIM5_CH1	PA14/JTCK/SWCLK	53
68	PA52/ADC0/TIM2_CH1/TIM5_CH1	PA13/TIM2_CH3	54
69	PA53/ADC0/TIM2_CH1/TIM5_CH1	PA12/TIM2_CH2	55
70	PA54/ADC0/TIM2_CH1/TIM5_CH1	PA11/TIM2_CH1	56
71	PA55/ADC0/TIM2_CH1/TIM5_CH1	PA10/TIM2_CH0	57
72	PA56/ADC0/TIM2_CH1/TIM5_CH1	PA9/TIM2_CH0	58
73	PA57/ADC0/TIM2_CH1/TIM5_CH1	PA8/TIM2_CH0	59
74	PA58/ADC0/TIM2_CH1/TIM5_CH1	PA7/TIM2_CH0	60
75	PA59/ADC0/TIM2_CH1/TIM5_CH1	PA6/TIM2_CH0	61
76	PA60/ADC0/TIM2_CH1/TIM5_CH1	PA5/TIM2_CH0	62
77	PA61/ADC0/TIM2_CH1/TIM5_CH1	PA4/TIM2_CH0	63
78	PA62/ADC0/TIM2_CH1/TIM5_CH1	PA3/TIM2_CH0	64
79	PA63/ADC0/TIM2_CH1/TIM5_CH1	PA2/TIM2_CH0	65
80	PA64/ADC0/TIM2_CH1/TIM5_CH1	PA1/TIM2_CH0	66
81	PA65/ADC0/TIM2_CH1/TIM5_CH1	PA0/TIM2_CH0	67
82	PA66/ADC0/TIM2_CH1/TIM5_CH1	PA15/JTDI/SPI3_NSS/I2S3_WS	68
83	PA67/ADC0/TIM2_CH1/TIM5_CH1	PA14/JTCK/SWCLK	69
84	PA68/ADC0/TIM2_CH1/TIM5_CH1	PA13/TIM2_CH3	70
85	PA69/ADC0/TIM2_CH1/TIM5_CH1	PA12/TIM2_CH2	71
86	PA70/ADC0/TIM2_CH1/TIM5_CH1	PA11/TIM2_CH1	72
87	PA71/ADC0/TIM2_CH1/TIM5_CH1	PA10/TIM2_CH0	73
88	PA72/ADC0/TIM2_CH1/TIM5_CH1	PA9/TIM2_CH0	74
89	PA73/ADC0/TIM2_CH1/TIM5_CH1	PA8/TIM2_CH0	75
90	PA74/ADC0/TIM2_CH1/TIM5_CH1	PA7/TIM2_CH0	76
91	PA75/ADC0/TIM2_CH1/TIM5_CH1	PA6/TIM2_CH0	77
92	PA76/ADC0/TIM2_CH1/TIM5_CH1	PA5/TIM2_CH0	78
93	PA77/ADC0/TIM2_CH1/TIM5_CH1	PA4/TIM2_CH0	79
94	PA78/ADC0/TIM2_CH1/TIM5_CH1	PA3/TIM2_CH0	80
95	PA79/ADC0/TIM2_CH1/TIM5_CH1	PA2/TIM2_CH0	81
96	PA80/ADC0/TIM2_CH1/TIM5_CH1	PA1/TIM2_CH0	82
97	PA81/ADC0/TIM2_CH1/TIM5_CH1	PA0/TIM2_CH0	83
98	PA82/ADC0/TIM2_CH1/TIM5_CH1	PA15/JTDI/SPI3_NSS/I2S3_WS	84
99	PA83/ADC0/TIM2_CH1/TIM5_CH1	PA14/JTCK/SWCLK	85
100	PA84/ADC0/TIM2_CH1/TIM5_CH1	PA13/TIM2_CH3	86
101	PA85/ADC0/TIM2_CH1/TIM5_CH1	PA12/TIM2_CH2	87
102	PA86/ADC0/TIM2_CH1/TIM5_CH1	PA11/TIM2_CH1	88
103	PA87/ADC0/TIM2_CH1/TIM5_CH1	PA10/TIM2_CH0	89
104	PA88/ADC0/TIM2_CH1/TIM5_CH1	PA9/TIM2_CH0	90
105	PA89/ADC0/TIM2_CH1/TIM5_CH1	PA8/TIM2_CH0	91
106	PA90/ADC0/TIM2_CH1/TIM5_CH1	PA7/TIM2_CH0	92
107	PA91/ADC0/TIM2_CH1/TIM5_CH1	PA6/TIM2_CH0	93
108	PA92/ADC0/TIM2_CH1/TIM5_CH1	PA5/TIM2_CH0	94
109	PA93/ADC0/TIM2_CH1/TIM5_CH1	PA4/TIM2_CH0	95
110	PA94/ADC0/TIM2_CH1/TIM5_CH1	PA3/TIM2_CH0	96
111	PA95/ADC0/TIM2_CH1/TIM5_CH1	PA2/TIM2_CH0	97
112	PA96/ADC0/TIM2_CH1/TIM5_CH1	PA1/TIM2_CH0	98
113	PA97/ADC0/TIM2_CH1/TIM5_CH1	PA0/TIM2_CH0	99
114	PA98/ADC0/TIM2_CH1/TIM5_CH1	PA15/JTDI/SPI3_NSS/I2S3_WS	100
115	PA99/ADC0/TIM2_CH1/TIM5_CH1	PA14/JTCK/SWCLK	101
116	PA100/ADC0/TIM2_CH1/TIM5_CH1	PA13/TIM2_CH3	102
117	PA101/ADC0/TIM2_CH1/TIM5_CH1	PA12/TIM2_CH2	103
118	PA102/ADC0/TIM2_CH1/TIM5_CH1	PA11/TIM2_CH1	104
119	PA103/ADC0/TIM2_CH1/TIM5_CH1	PA10/TIM2_CH0	105
120	PA104/ADC0/TIM2_CH1/TIM5_CH1	PA9/TIM2_CH0	106
121	PA105/ADC0/TIM2_CH1/TIM5_CH1	PA8/TIM2_CH0	107
122	PA106/ADC0/TIM2_CH1/TIM5_CH1	PA7/TIM2_CH0	108
123	PA107/ADC0/TIM2_CH1/TIM5_CH1	PA6/TIM2_CH0	109
124	PA108/ADC0/TIM2_CH1/TIM5_CH1	PA5/TIM2_CH0	110
125	PA109/ADC0/TIM2_CH1/TIM5_CH1	PA4/TIM2_CH0	111
126	PA110/ADC0/TIM2_CH1/TIM5_CH1	PA3/TIM2_CH0	112
127	PA111/ADC0/TIM2_CH1/TIM5_CH1	PA2/TIM2_CH0	113
128	PA112/ADC0/TIM2_CH1/TIM5_CH1	PA1/TIM2_CH0	114
129	PA113/ADC0/TIM2_CH1/TIM5_CH1	PA0/TIM2_CH0	115
130	PA114/ADC0/TIM2_CH1/TIM5_CH1	PA15/JTDI/SPI3_NSS/I2S3_WS	116
131	PA115/ADC0/TIM2_CH1/TIM5_CH1	PA14/JTCK/SWCLK	117
132	PA116/ADC0/TIM2_CH1/TIM5_CH1	PA13/TIM2_CH3	118
133	PA117/ADC0/TIM2_CH1/TIM5_CH1	PA12/TIM2_CH2	119
134	PA118/ADC0/TIM2_CH1/TIM5_CH1	PA11/TIM2_CH1	120
135	PA119/ADC0/TIM2_CH1/TIM5_CH1	PA10/TIM2_CH0	121
136	PA120/ADC0/TIM2_CH1/TIM5_CH1	PA9/TIM2_CH0	122
137	PA121/ADC0/TIM2_CH1/TIM5_CH1	PA8/TIM2_CH0	123
138	PA122/ADC0/TIM2_CH1/TIM5_CH1	PA7/TIM2_CH0	124
139	PA123/ADC0/TIM2_CH1/TIM5_CH1	PA6/TIM2_CH0	125
140	PA124/ADC0/TIM2_CH1/TIM5_CH1	PA5/TIM2_CH0	126
141	PA125/ADC0/TIM2_CH1/TIM5_CH1	PA4/TIM2_CH0	127
142	PA126/ADC0/TIM2_CH1/TIM5_CH1	PA3/TIM2_CH0	128
143	PA127/ADC0/TIM2_CH1/TIM5_CH1	PA2/TIM2_CH0	129
144	PA128/ADC0/TIM2_CH1/TIM5_CH1	PA1/TIM2_CH0	130
145	PA129/ADC0/TIM2_CH1/TIM5_CH1	PA0/TIM2_CH0	131
146	PA130/ADC0/TIM2_CH1/TIM5_CH1	PA15/JTDI/SPI3_NSS/I2S3_WS	132
147	PA131/ADC0/TIM2_CH1/TIM5_CH1	PA14/JTCK/SWCLK	133
148	PA132/ADC0/TIM2_CH1/TIM5_CH1	PA13/TIM2_CH3	134
149	PA133/ADC0/TIM2_CH1/TIM5_CH1	PA12/TIM2_CH2	135
150	PA134/ADC0/TIM2_CH1/TIM5_CH1	PA11/TIM2_CH1	136
151	PA135/ADC0/TIM2_CH1/TIM5_CH1	PA10/TIM2_CH0	137
152	PA136/ADC0/TIM2_CH1/TIM5_CH1	PA9/TIM2_CH0	138
153	PA137/ADC0/TIM2_CH1/TIM5_CH1	PA8/TIM2_CH0	139
154	PA138/ADC0/TIM2_CH1/TIM5_CH1	PA7/TIM2_CH0	140
155	PA139/ADC0/TIM2_CH1/TIM5_CH1	PA6/TIM2_CH0	141
156	PA140/ADC0/TIM2_CH1/TIM5_CH1	PA5/TIM2_CH0	142
157	PA141/ADC0/TIM2_CH1/TIM5_CH1	PA4/TIM2_CH0	143
158	PA142/ADC0/TIM2_CH1/TIM5_CH1	PA3/TIM2_CH0	144
159	PA143/ADC0/TIM2_CH1/TIM5_CH1	PA2/TIM2_CH0	145
160	PA144/ADC0/TIM2_CH1/TIM5_CH1	PA1/TIM2_CH0	146
161	PA145/ADC0/TIM2_CH1/TIM5_CH1	PA0/TIM2_CH0	147
162	PA146/ADC0/TIM2_CH1/TIM5_CH1	PA15/JTDI/SPI3_NSS/I2S3_WS	148
163	PA147/ADC0/TIM2_CH1/TIM5_CH1	PA14/JTCK/SWCLK	149
164	PA148/ADC0/TIM2_CH1/TIM5_CH1	PA13/TIM2_CH3	150
165	PA149/ADC0/TIM2_CH1/TIM5_CH1	PA12/TIM2_CH2	151
166	PA150/ADC0/TIM2_CH1/TIM5_CH1	PA11/TIM2_CH1	152
167	PA151/ADC0/TIM2_CH1/TIM5_CH1	PA10/TIM2_CH0	153
168	PA152/ADC0/TIM2_CH1/TIM5_CH1	PA9/TIM2_CH0	154
169	PA153/ADC0/TIM2_CH1/TIM5_CH1	PA8/TIM2_CH0	155
170	PA154/ADC0/TIM2_CH1/TIM5_CH1	PA7/TIM2_CH0	156
171	PA155/ADC0/TIM2_CH1/TIM5_CH1	PA6/TIM2_CH0	157
172	PA156/ADC0/TIM2_CH1/TIM5_CH1	PA5/TIM2_CH0	158
173	PA157/ADC0/TIM2_CH1/TIM5_CH1	PA4/TIM2_CH0	159
174	PA158/ADC0/TIM2_CH1/TIM5_CH1	PA3/TIM2_CH0	160
175	PA159/ADC0/TIM2_CH1/TIM5_CH1	PA2/TIM2_CH0	161
176	PA160/ADC0/TIM2_CH1/TIM5_CH1	PA1/TIM2_CH0	162
177	PA161/ADC0/TIM2_CH1/TIM5_CH1	PA0/TIM2_CH0	163
178	PA162/ADC0/TIM2_CH1/TIM5_CH1	PA15/JTDI/SPI3_NSS/I2S3_WS	164
179	PA163/ADC0/TIM2_CH1/TIM5_CH1	PA14/JTCK/SWCLK	165
180	PA164/ADC0/TIM2_CH1/TIM5_CH1	PA13/TIM2_CH3	166
181	PA165/ADC0/TIM2_CH1/TIM5_CH1	PA12/TIM2_CH2	167
182	PA166/ADC0/TIM2_CH1/TIM5_CH1	PA11/TIM2_CH1	168
183	PA167/ADC0/TIM2_CH1/TIM5_CH1	PA10/TIM2_CH0	169
184	PA168/ADC0/TIM2_CH1/TIM5_CH1	PA9/TIM2_CH0	170
185	PA169/ADC0/TIM2_CH1/TIM5_CH1	PA8/TIM2_CH0	171
186	PA170/ADC0/TIM2_CH1/TIM5_CH1	PA7/TIM2_CH0	172
187	PA171/ADC0/TIM2_CH1/TIM5_CH1	PA6/TIM2_CH0	173
188	PA172/ADC0/TIM2_CH1/TIM5_CH1	PA5/TIM2_CH0	174
189	PA173/ADC0/TIM2_CH1/TIM5_CH1	PA4/TIM2_CH0	175
190	PA174/ADC0/TIM2_CH1/TIM5_CH1	PA3/TIM2_CH0	176
191	PA175/ADC0/TIM2_CH1/TIM5_CH1	PA2/TIM2_CH0	177
192	PA176/ADC0/TIM2_CH1/TIM5_CH1	PA1/TIM2_CH0	178
193	PA177/ADC0/TIM2_CH1/TIM5_CH1	PA0/TIM2_CH0	179
194	PA178/ADC0/TIM2_CH1/TIM5_CH1	PA15/JTDI/SPI3_NSS/I2S3_WS	180
195	PA179/ADC0/TIM2_CH1/TIM5_CH1	PA14/JTCK/SWCLK	181
196	PA180/ADC0/TIM2_CH1/TIM5_CH1	PA13/TIM2_CH3	182
197	PA181/ADC0/TIM2_CH1/TIM5_CH1	PA12/TIM2_CH2	183
198	PA182/ADC0/TIM2_CH1/TIM5_CH1	PA11/TIM2_CH1	184
199	PA183/ADC0/TIM2_CH1/TIM5_CH1	PA10/TIM2_CH0	185
200	PA184/ADC0/TIM2_CH1/TIM5_CH1	PA9/TIM2_CH0	186
201	PA185/ADC0/TIM2_CH1/TIM5_CH1	PA8/TIM2_CH0	187
202	PA186/ADC0/TIM2_CH1/TIM5_CH1	PA7/TIM2_CH0	188
203	PA187/ADC0/TIM2_CH1/TIM5_CH1	PA6/TIM2_CH0	189
204	PA188/ADC0/TIM2_CH1/TIM5_CH1	PA5/TIM2_CH0	190
205	PA189/ADC0/TIM2_CH1/TIM5_CH1	PA4/TIM2_CH0	191
206	PA190/ADC0/TIM2_CH1/TIM5_CH1	PA3/TIM2_CH0	192
207	PA191/ADC0/TIM2_CH1/TIM5_CH1	PA2/TIM2_CH0	193
208	PA192/ADC0/TIM2_CH1/TIM5_CH1	PA1/TIM2_CH0	194
209	PA193/ADC0/TIM2_CH1/TIM5_CH1	PA0/TIM2_CH0	195
210	PA194/ADC0/TIM2_CH1/TIM5_CH1	PA15/JTDI/SPI3_NSS/I2S3_WS	196
211	PA195/ADC0/TIM2_CH1/TIM5_CH1	PA14/JTCK/SWCLK	197
212	PA196/ADC0/TIM2_CH1/TIM5_CH1	PA13/TIM2_CH3	198
213	PA197/ADC0/TIM2_CH1/TIM5_CH1	PA12/TIM2_CH2	199
214	PA198/ADC0/TIM2_CH1/TIM5_CH1	PA11/TIM2_CH1	200
215	PA199/ADC0/TIM2_CH1/TIM5_CH1	PA10/TIM2_CH0	201
216	PA200/ADC0/TIM2_CH1/TIM5_CH1	PA9/TIM2_CH0	202
217	PA201/ADC0/TIM2_CH1/TIM5_CH1	PA8/TIM2_CH0	203
218	PA202/ADC0/TIM2_CH1/TIM5_CH1	PA7/TIM2_CH0	204
219	PA203/ADC0/TIM2_CH1/TIM5_CH1	PA6/TIM2_CH0	205
220	PA204/ADC0/TIM2_CH1/TIM5_CH1	PA5/TIM2_CH0	206
221	PA205/ADC0/TIM2_CH1/TIM5_CH1	PA4/TIM2_CH0	207
222	PA206/ADC0/TIM2_CH1/TIM5_CH1	PA3/TIM2_CH0	208
223	PA207/ADC0/TIM2_CH1/TIM5_CH1	PA2/TIM2_CH0	209
224	PA208/ADC0/TIM2_CH1/TIM5_CH1	PA1/TIM2_CH0	210
225	PA209/ADC0/TIM2_CH1/TIM5_CH1	PA0/TIM2_CH0	211
226	PA210/ADC0/TIM2_CH1/TIM5_CH1	PA15/JTDI/SPI3_NSS/I2S3_WS	212
227	PA211/ADC0/TIM2_CH1/TIM5_CH1	PA14/JTCK/SWCLK	213
228	PA212/ADC0/TIM2_CH1/TIM5_CH1	PA13/TIM2_CH3	214
229	PA213/ADC0/TIM2_CH1/TIM5_CH1	PA12/TIM2_CH2	215
230	PA214/ADC0/TIM2_CH1/TIM5_CH1	PA11/TIM2_CH1	216
231	PA215/ADC0/TIM2_CH1/TIM5_CH1	PA10/TIM2_CH0	217
232	PA216/ADC0/TIM2_CH1/TIM5_CH1	PA9/TIM2_CH0	218
233	PA217/ADC0/TIM2_CH1/TIM5_CH1	PA8/TIM2_CH0	219



1



2

3

1

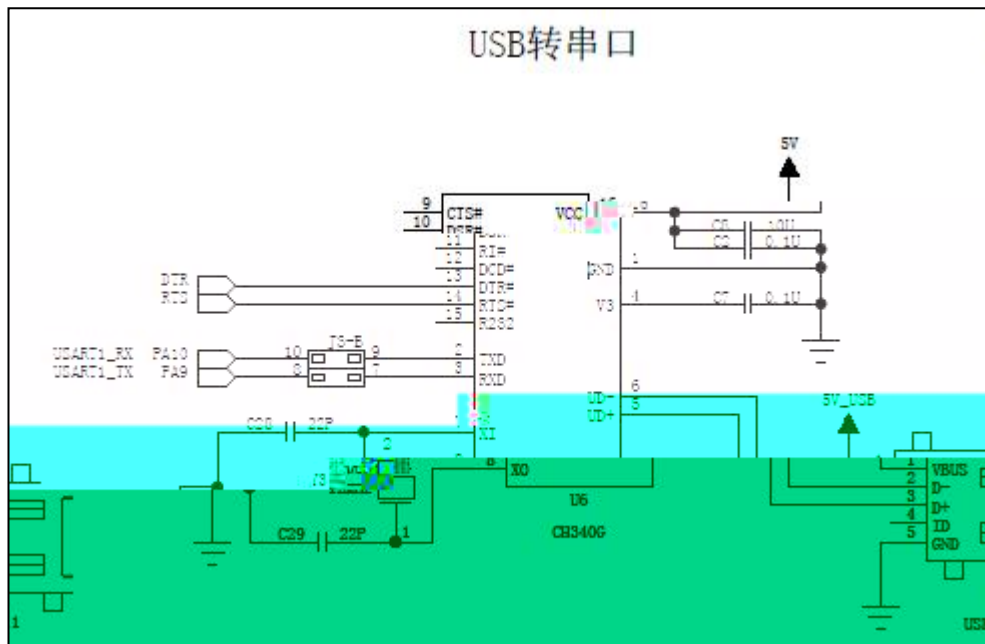
1	VBAT	VDD	64
2	PC13/ANT1	VSS	63
3	PC14/OSC32	PB9/TIM4_CH4/SDIO_D5	62
4	PC15/OSC32	PB8/TIM4_CH3/SDIO_D4	61
5	PD0/OSCIN	BOOT0	60
6	PD1/OSCCOUT	PB7/I2C1_SDA/TIM4_CH2	59
7	NRST	PB6/I2C1_SCL/TIM4_CH1	58
8	PC0/ADC10	PB5/I2C1_SMBA/SPI3_MOSI/I2S3_SD	57
9	PC1/ADC11	PB4/JNTRST/SPI3_MISO	56
10	PC2/ADC12	PB3/JTDC/SPI3_SCK/I2S3_CK	55
11	PC3/ADC13	PD2/U5_RX/TIM3_ETR/SDIO_CMD	54
12	VSSA	PC12/U5_TX/SDIO_CK	53
13	VDDA	PC11/U4_RX/SDIO_D3	52
14	PA0/WKUP/ADC0/TIM2_CH1_ETR/TIM5_CH1/TIM8_ETR	PC10/U4_TX/SDIO_D2	51
15	PA1/ADC1/TIM2_CH2/TIM5_CH2	PA15/JTDI/SPI3_NSS/I2S3_WS	50
16	PA2/U2_TX/ADC2/TIM2_CH3/TIM5_CH3	PA14/JTCK/SWCLK	49
17	PA3/U2_RX/ADC3/TIM2_CH4/TIM5_CH4	VDD	4
18	PA4	VDD	5
19	PA5	PA13/TIM8_ETR	59
20	PA6	PA12/CKI1/ADC12_IN1	58
21	PA7	PA11/CKI2/ADC12_IN2	57
22	PA8	PA10/CKI3/ADC12_IN3	56
23	PA9	PA9/CKI4/ADC12_IN4	55
24	PA10	PA8/CKI5/ADC12_IN5	54
25	PA11	PA7/CKI6/ADC12_IN6	53
26	PA12	PA6/CKI7/ADC12_IN7	52
27	PA13	PA5/CKI8/ADC12_IN8	51
28	PA14	PA4/CKI9/ADC12_IN9	50
29	PA15	PA3/CKI10/ADC12_IN10	49
30	PA16	PA2/CKI11/ADC12_IN11	48
31	PA17	PA1/CKI12/ADC12_IN12	47
32	PA18	PA0/CKI13/ADC12_IN13	46
33	PA19	PA15/JTDC/SPI3_SCK/I2S3_CK	45
34	PA20	PA14/JTCK/SWCLK	44
35	PA21	PA13/TIM8_ETR	43
36	PA22	PA12/CKI1/ADC12_IN1	42
37	PA23	PA11/CKI2/ADC12_IN2	41
38	PA24	PA10/CKI3/ADC12_IN3	40
39	PA25	PA9/CKI4/ADC12_IN4	39
40	PA26	PA8/CKI5/ADC12_IN5	38
41	PA27	PA7/CKI6/ADC12_IN6	37
42	PA28	PA6/CKI7/ADC12_IN7	36
43	PA29	PA5/CKI8/ADC12_IN8	35
44	PA30	PA4/CKI9/ADC12_IN9	34
45	PA31	PA3/CKI10/ADC12_IN10	33
46	PA32	PA2/CKI11/ADC12_IN11	32
47	PA33	PA1/CKI12/ADC12_IN12	31
48	PA34	PA0/CKI13/ADC12_IN13	30
49	PA35	PA15/JTDC/SPI3_SCK/I2S3_CK	29
50	PA36	PA14/JTCK/SWCLK	28
51	PA37	PA13/TIM8_ETR	27
52	PA38	PA12/CKI1/ADC12_IN1	26
53	PA39	PA11/CKI2/ADC12_IN2	25
54	PA40	PA10/CKI3/ADC12_IN3	24
55	PA41	PA9/CKI4/ADC12_IN4	23
56	PA42	PA8/CKI5/ADC12_IN5	22
57	PA43	PA7/CKI6/ADC12_IN6	21
58	PA44	PA6/CKI7/ADC12_IN7	20
59	PA45	PA5/CKI8/ADC12_IN8	19
60	PA46	PA4/CKI9/ADC12_IN9	18
61	PA47	PA3/CKI10/ADC12_IN10	17
62	PA48	PA2/CKI11/ADC12_IN11	16
63	PA49	PA1/CKI12/ADC12_IN12	15
64	PA50	PA0/CKI13/ADC12_IN13	14
65	PA51	PA15/JTDC/SPI3_SCK/I2S3_CK	13
66	PA52	PA14/JTCK/SWCLK	12
67	PA53	PA13/TIM8_ETR	11
68	PA54	PA12/CKI1/ADC12_IN1	10
69	PA55	PA11/CKI2/ADC12_IN2	9
70	PA56	PA10/CKI3/ADC12_IN3	8
71	PA57	PA9/CKI4/ADC12_IN4	7
72	PA58	PA8/CKI5/ADC12_IN5	6
73	PA59	PA7/CKI6/ADC12_IN6	5
74	PA60	PA6/CKI7/ADC12_IN7	4
75	PA61	PA5/CKI8/ADC12_IN8	3
76	PA62	PA4/CKI9/ADC12_IN9	2
77	PA63	PA3/CKI10/ADC12_IN10	1

2

3



1



2

3

-





3

-

1

2



1

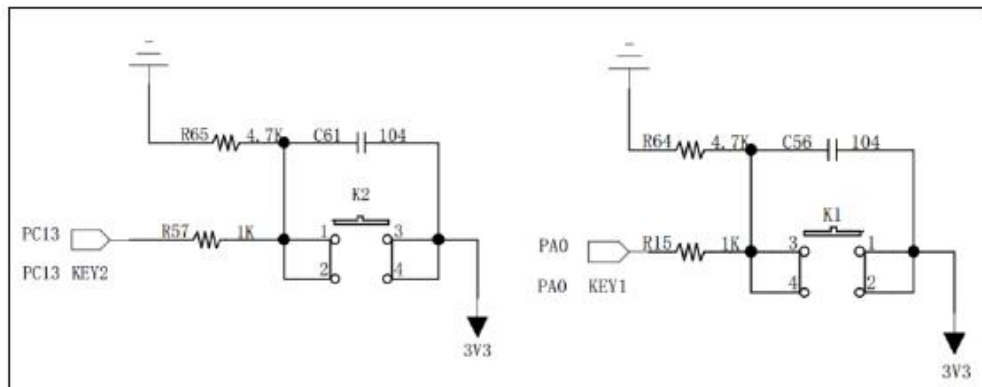
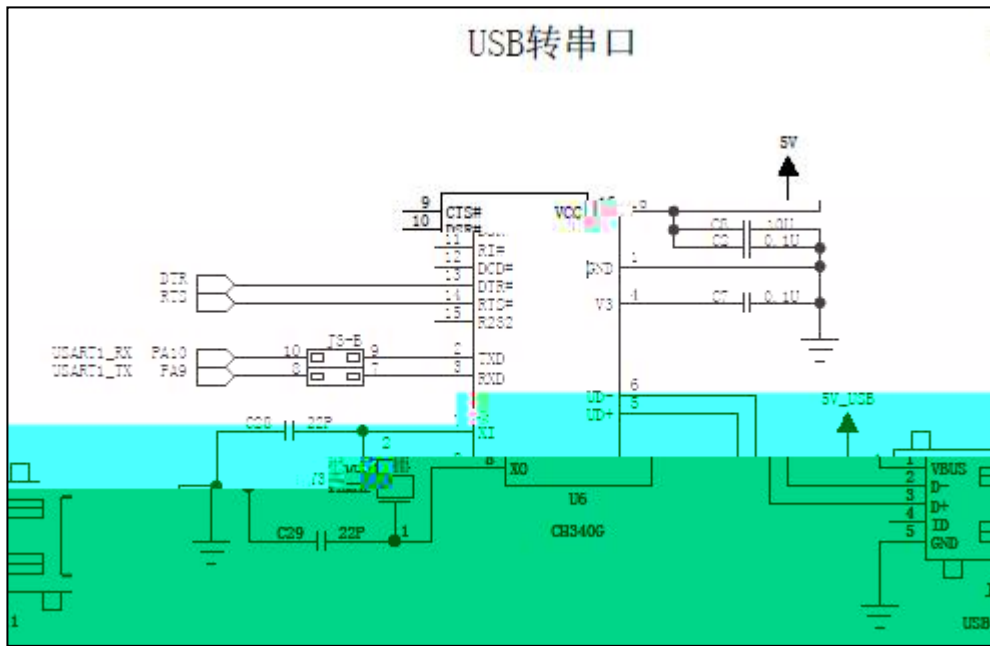


2

3

-

1



2

3

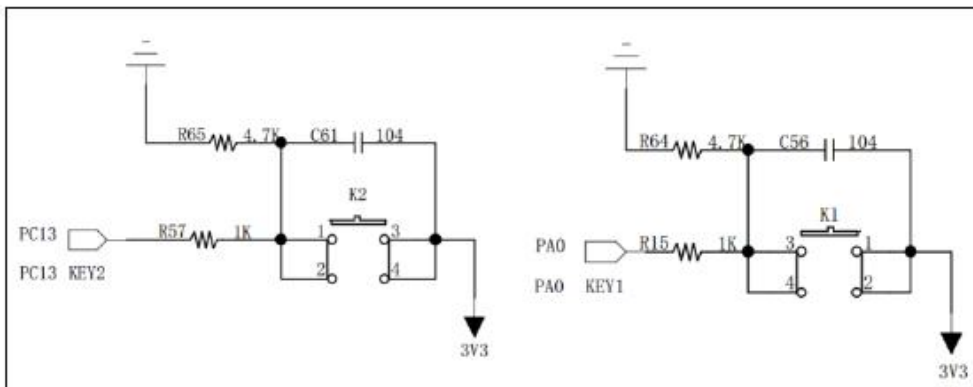
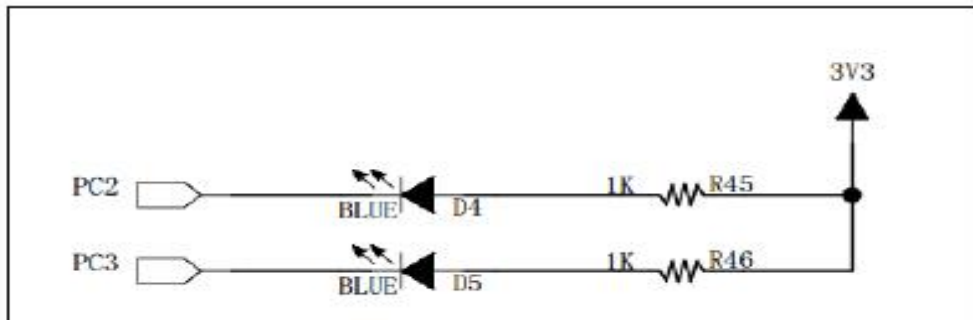
-





3

-



2

3

-

1



2

3

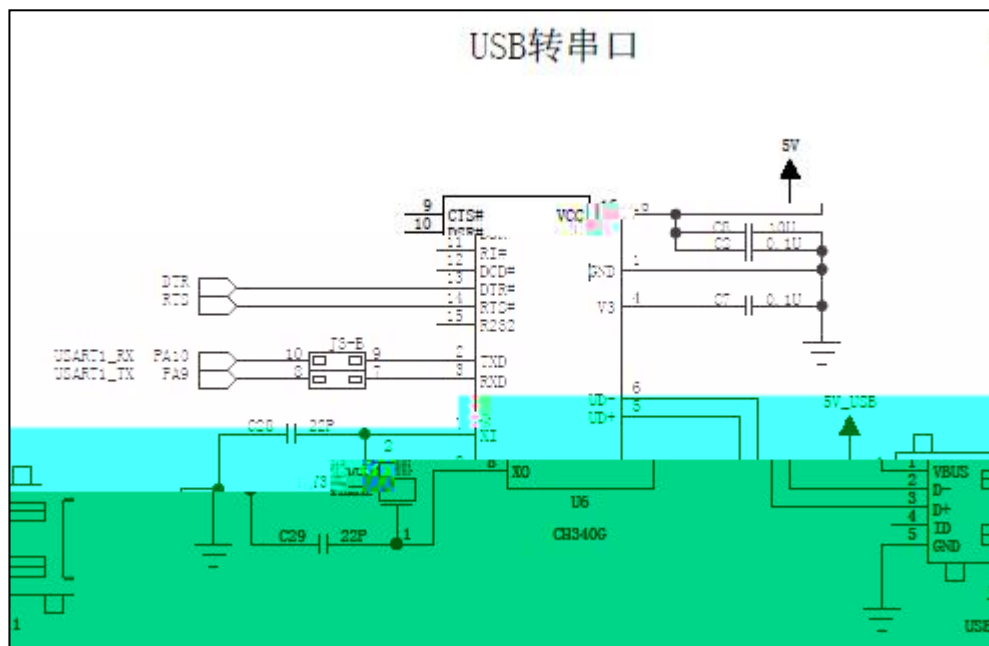


2

3

-

1



2

3

-



1

1

1

1 / / .0

/ /

( )

/

1 0

20		10		
		10	6	0
			7	
			8	
		9		

			10	
30			1	
		10		
		10		
50				
		10		

5

18

1  
2

20sp

RGB #FF0000



3 :

2  
1



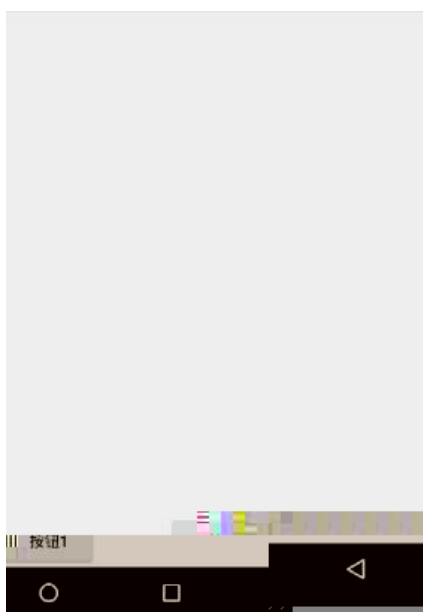
3 :

1

2

1

2



3

:

TextView

2

1



3

1

2



3

2

1

2



3



1

1 1 1 1

2

1

2

1 1 1 1



3

1

2

1



3

1

2

1

2



3

1

2

1

2

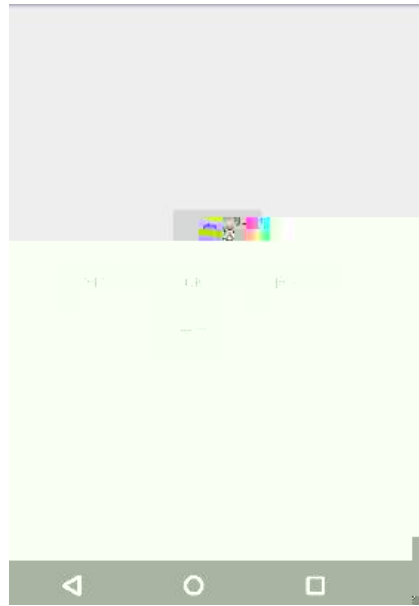


3

1

2

1



3

1

LED

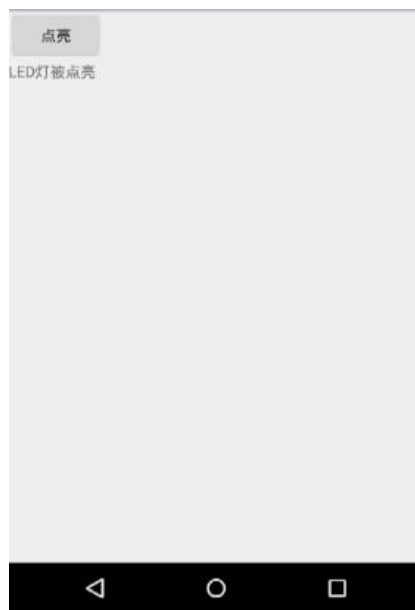
2

1

2

3

TextView LED



3

1

LED

2

1

2

3

TextView LED



3

1

LED

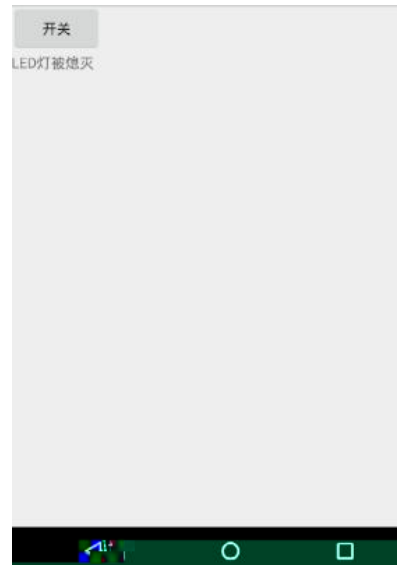
2

1

2

3

TextView LED



3



1

LED

2

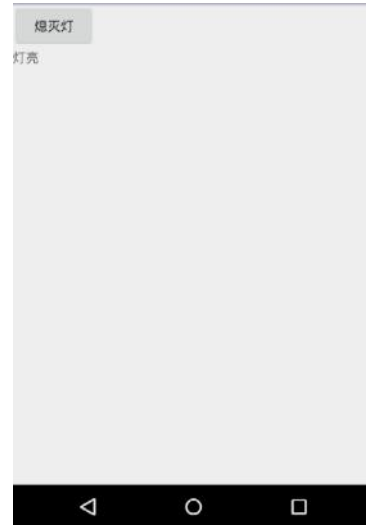
1

2

3

4

TextVi ew



3

1

LED

2

1

2

3

4

ImageView

30dp\*30dp



3

1

2

1

2



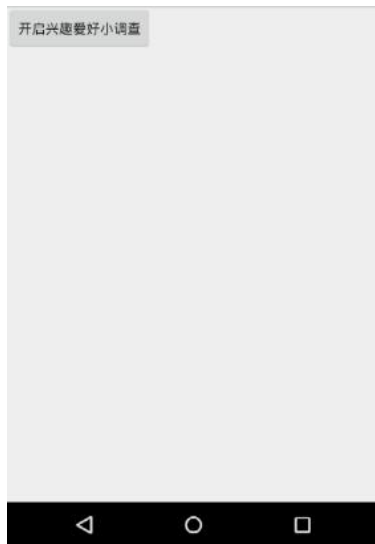
3

1

2

1

2



3